

We · support · the
i n n o v a t i o n s · o f · c u s t o m e r s

Leak - Proof Flow & Control Solution Partner

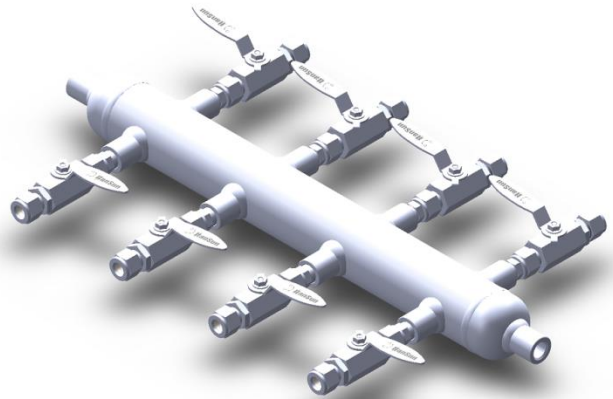
The Best Partner
for Value Creation

S-LOK[®]

**Condensate Pot &
Air Distribution Manifolds**

HanSun

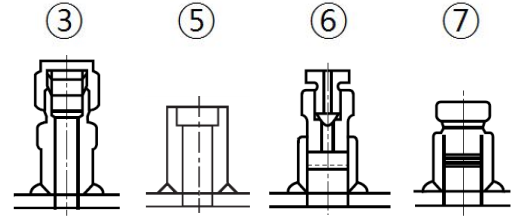
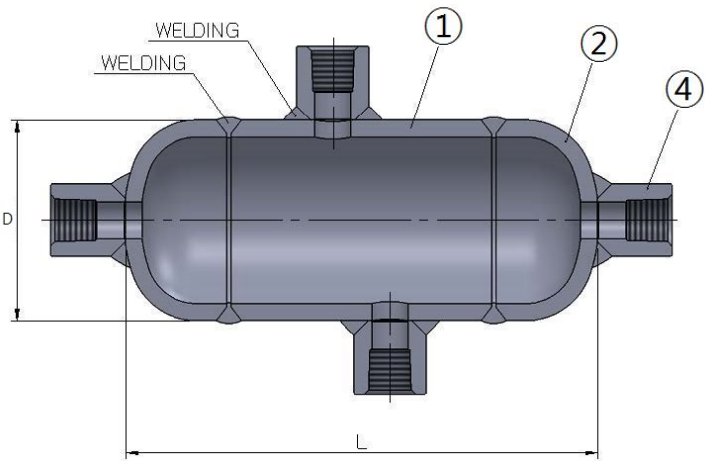
한선엔지니어링(주)
HANSUN ENGINEERING CO., LTD.



HanSun

Condensate Pot

Features



END CONNECTORS

Table of Dimensions

Unit : mm

Pipe	L	D
3"	214	88.9
4"	360	114.3

※ L1 length is adjustable according to client request to fit the system design.

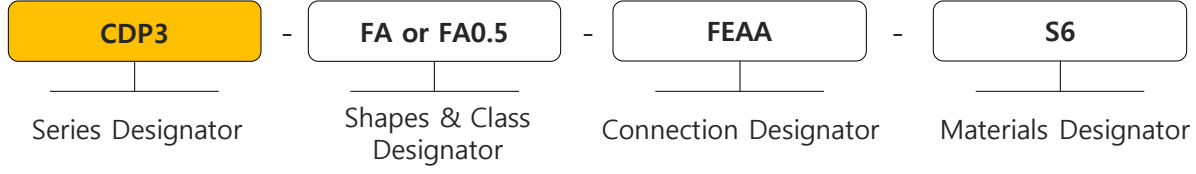
Part List

No.	Description		Material
1	Pipe	3" (O.D 88.9) 4" (O.D 114.3)	Refer to below
2	Cap		
3	Connector	S-LOK Connector	Stainless Steel 316
4		H/Coupling	
5		Socket Welding H/Coupling	Stainless Steel 316 or Carbon Steel
6		Vent Plug	
7		Hex. Plug	

Factory Test

100% pressure tested
PT test standard
RT test an option

Ordering Information



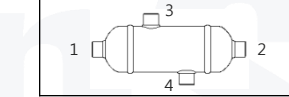
Series Designator	
Pipe Size	Identifier
3"	CDP3
4"	CDP4

Shapes Designator	
Shapes	Identifier
	A
	B
	C
	D
	E
	F

Connection Designator	
Connection	Identifier
½ NPT	A
½ PT	B
½ S.W	C
½ LOK	D
Vent Plug	E
Hex. Plug	F

Materials Designator	
Materials	Identifier
A335 Gr P11	P11
A335 Gr P22	P22
A106 Gr B	106
A312 Gr TP304	S4
A312 Gr TP316	S6
A312 Gr TP304L	S4L
A312 Gr TP316L	S6L

Class Designator (Schedule & Volume)			
Schedule	Identifier	*Volume(ℓ) or Length	Identifier
SCH 40	A	0.5	0.5
SCH 80	B	1.0	1
SCH 160	C	2.0	2
SCH XXS	D	3.0	3
			*

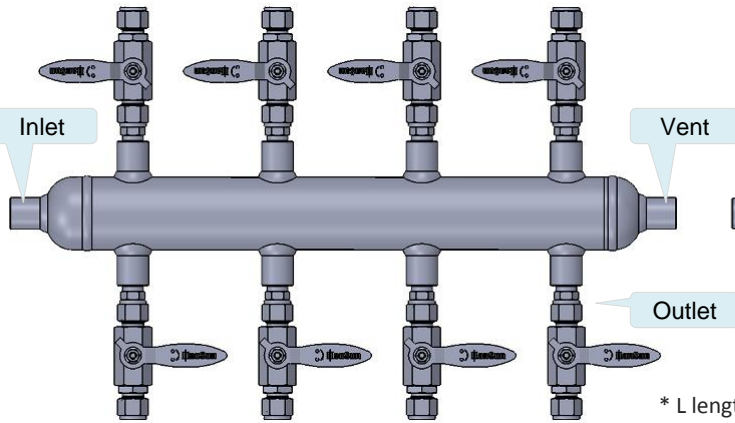


* L length is adjustable according to client request to fit the Volume design.

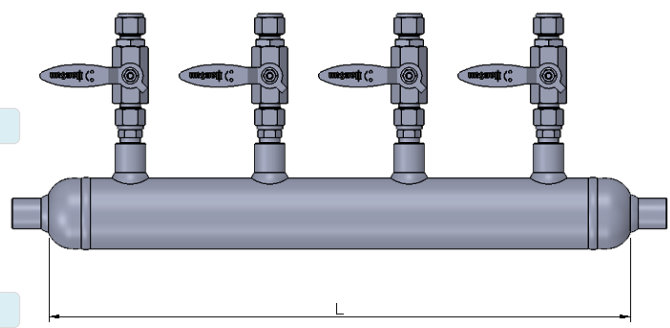
Air Distribution Manifolds

Features

Double Sided



Single Sided



* L length is adjustable according to client request to fit the Volume design.

Part List

No.	Description		Material
1	Pipe	1" ~ 4"	Refer to below
2	Cap		
3	Inlet	H/Coupling	
4	Outlet or Vent	H/Coupling	
5		S-LOK Ball Valves	
6		S-LOK Needle Valves	

Factory Test

100% pressure tested
PT test standard
RT test an option

Ordering Information

SADM3

Series Designator

Series Designator	
Pipe Size	Identifier
1"	SADM1
2"	SADM2
3"	SADM3
4"	SADM4

-

DBF8N

Class & Inlet Designator

Flow Designator	
Direction	Identifier
Double	D
Single	S

Class Designator	
Schedule	Identifier
SCH 40	A
SCH 80	B
SCH 160	C
SCH XXS	D

Inlet Designator	
Connection	Identifier
1/4	4
3/8	6
1/2	8
3/4	12
1	16

-

BS8T20-F12N
or
***BS8T20-1**

Outlet & Vent Designator

Outlet Designator	
Connection	Identifier
Ball V/V	B
Needle V/V (~ 1/2")	N

+ Refer to Inlet Designator or s-lok End Type

Q'ty Designator	
Q'ty (port)	2 ~ 20

Vent Designator	
Connection	Identifier
Ball V/V	Refer to Outlet Designator
Needle V/V (~ 1/2")	
H/Coupling	Refer to Inlet Designator

-

S6

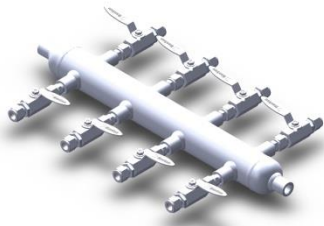
Materials Designator

Materials Designator	
Materials	Identifier
A335 Gr P11	P11
A335 Gr P22	P22
A106 Gr B	106
A312 Gr TP304	S4
A312 Gr TP316	S6
A312 Gr TP304L	S4L
A312 Gr TP316L	S6L

Thread shape (Male : M, Female : F)
+ Thread size (4, 6, 8, 12, 16)
+ Thread designator (NPT : N, PT : R)
Ex) Female 1/2 NPT : F8N
Male 3/4 PT : M12R

* When the Vent's specification is same as Outlet specification, add -1. (1 means the Vent port quantity.)

S-LOK End Type		
	Connection	Identifier
inch	1/4	S4T
	3/8	S6T
	1/2	S8T
	3/4	S12T
	1	S16T
metric	6~25mm	S6M ~ S25M



27 Noksansandan361-ro, Gangseo-gu
(Songjeong-dong), Busan, Korea

Tel : +82-51-899-6700, Fax : +82-51-899-6799

E-Mail : overseas@ehansun.co.kr

sales@ehansun.co.kr

Website : www.ehansun.co.kr, www.slok.co.kr